



Industrial Compact PC based on PC/104 Standard

IPC/COMPACT4 "XS-Family"



- Smallest compact device
- Rugged
- Maintenance-free
- Long term available
- No rotating parts
- DIN rail mounting
- No cables inside



Features

System

- **Industrial x86 Processor**
- up to 800MHz
- DDR2-SDRAM on Board
- Flash ROM Drive
- Socket for SRAM, NV-RAM
- Socket for CompactFlash
- Graphic resolution up to SXGA
- Ethernet, USB, PS/2
- RS422/485, RS232, CAN

Industrial specific properties

- Real Time Clock
- Watchdog
- Temperature supervisor
- Flash BIOS
- Socket for battery buffered Memory
- ESD-protection on all interfaces
- DIN Rail Mounting
- No active cooling required
- 24V Power Supply Voltage

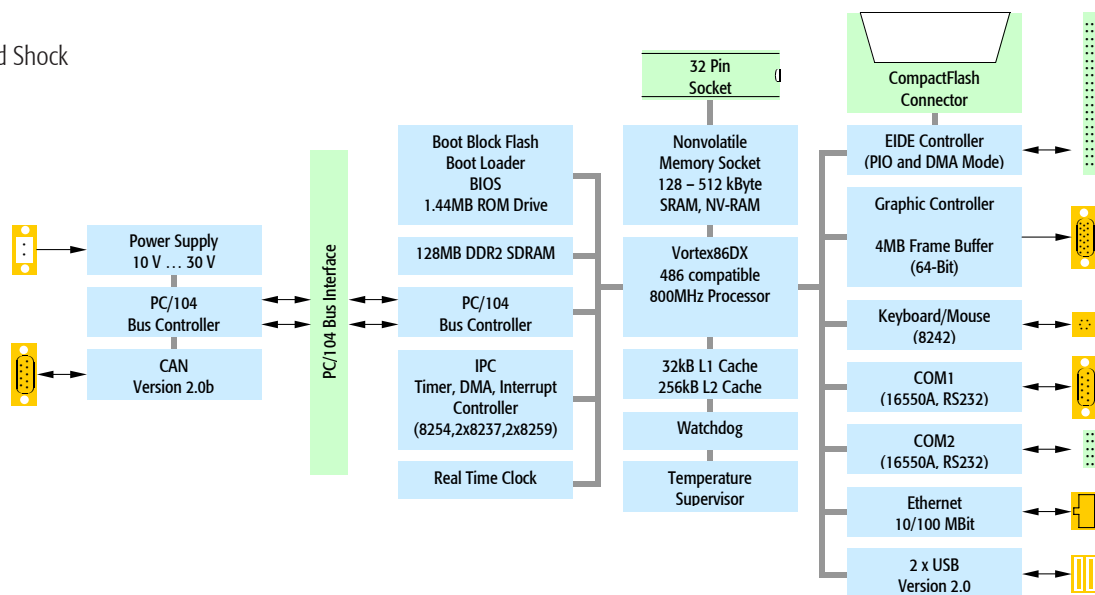
Operating Systems

- Windows CE
- Linux
- VxWorks
- MS-DOS, RTX-DOS 16/32
- RTKernel / RTOS-32
- others on request

Tests/Certifications

- CE
- Vibration and Shock
- EMV
- ESD
- Burn-In

Blockdiagram IPC/COMPACT4-1F



Specifications and Order Information

Order Code	IPC/COMPACT4-1E	IPC/COMPACT4-1F	IPC/COMPACT4-1G	IPC/COMPACT4-1EE ¹	IPC/COMPACT4-1FE ¹	IPC/COMPACT4-1GE ¹
Standard Temperature Range	•	•	•			
Extended Temperature Range				•	•	•
Processor / Performance						
Vortex86DX 800MHz	•	•	•			
Vortex86DX 600MHz				•	•	•
Memory						
32 kB L1 Cache (16kB instruction / 16kB data)	•	•	•	•	•	•
256 kB L2 Cache	•	•	•	•	•	•
256 MB DDR2 SDRAM	•	•	•	•	•	•
128 MB and 512 MB DDR2 SDRAM	opt.	opt.	opt.	opt.	opt.	opt.
1,44MB Flash ROM Drive	•	•	•	•	•	•
32 Pin Socket for SRAM,NV-RAM, EEPROM, DiskOnChip	•	•	•	•	•	•
Socket for CompactFlash IDE Mode (Typ-1)	•	•	•	•	•	•
Peripherals						
Graphic Controller up to 1280x1024 resolution	•	•	•	•	•	•
IDE Interface Standard (1 Master, 1 Slave)	•	•	•	•	•	•
Mouse/Keyboard PS/2	•	•	•	•	•	•
PC/104 Bus Interface ²	•	•	•	•	•	•
Real Time Clock PC compatible	•	•	•	•	•	•
Watchdog	•	•	•	•	•	•
Temperature supervisor	•	•	•	•	•	•
Communication Interfaces						
USB Version 2.0 (high or full speed)	2	2	2	2	2	2
Ethernet 10/100 Mbit (R6040)	1	1	1	1	1	1
RS232 ESD protected	2	2 ³	2 ³	2	2 ³	2 ³
RS422/485 ESD protected, isolated			1			1
CAN Version 2.0b, SJA1000, ESD protected, isolated		1			1	
Technical Data						
Dimensions w109 x h48 x d127 mm (Connector View)	•	•	•	•	•	•
Input Voltage 10...30V	•	•	•	•	•	•
Power Consumption max. in Watt @ 24V without Add-ons	11	12	11	11	12	11
Operating Temperature (ambient) 0° ~ +55° C	•	•	•			
Operating Temperature (ambient) -40° ~ +70° C				•	•	•
Storage Temperature -40° ~ +90° C	•	•	•	•	•	•
Shock: designed to meet EN60068-2-27	•	•	•	•	•	•
Vibration: designed to meet EN60068-2-6	•	•	•	•	•	•
EMI-Conformity EN-55022/55024/61000-6-2/61000-6-4	•	•	•	•	•	•
User Documentation						
System: DOC/COMPACT4-1XSE	o.r.	o.r.	o.r.	o.r.	o.r.	o.r.
CPU: DOC/IPC_NETIPC4-E	•	•	•	•	•	•
Base Board: DOC/COMPACGP-1EE	•			•		
Base Board: DOC/COMPACGP-1FE		•			•	
Base Board: DOC/COMPACGP-1GE			•			•

¹ Please contact factory for minimum order quantity information

² Board connector (internal)

³ Second RS232 Interface on internal connector